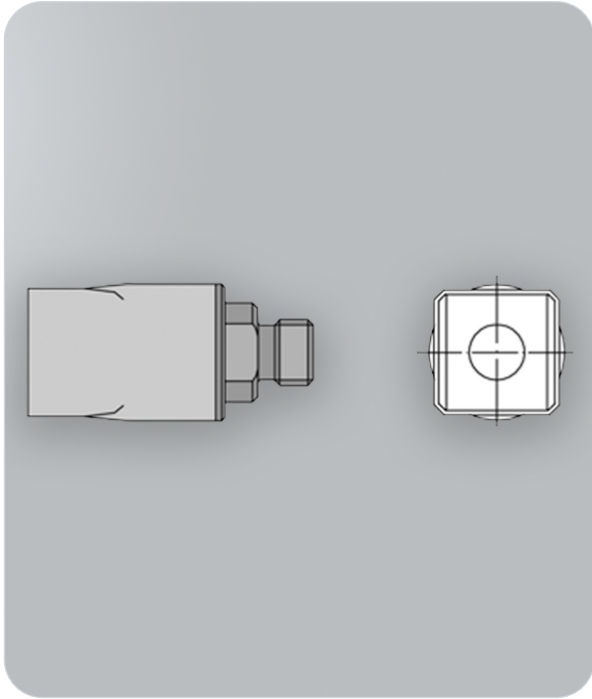


D04 - Hot Air Nozzle

SKU: GW-D04



Features & Benefits

- ◆ Two-sided heated nozzle with integrated pre-heating plate
- ◆ Compatible with HAP 1, HAP 200, and WXHAP 200 hot air tools
- ◆ Delivers focused, consistent heat for precise rework
- ◆ Supplied individually (1 per package)
- ◆ Ideal for targeted soldering and desoldering applications
- ◆ Part of Weller's professional-grade hot air nozzle range

About the D04 - Hot Air Nozzle

The Weller D04 Hot Air Nozzle is a precision nozzle featuring two-sided heating and an integrated pre-heating plate, designed to deliver focused and consistent heat for targeted rework tasks.

With both length and width measuring 10.5 mm, it is well-suited for applications requiring controlled heat on specific component areas.

Compatible with HAP 1, HAP 200, and WXHAP 200 hot air tools, the D04 is supplied as a **single unit per package**.

As part of Weller's professional nozzle family, it provides reliable thermal performance and accuracy for demanding electronic repairs and soldering jobs.

Specifications

Property	Detail
Dimensions	Length 10.5 mm, Width 10.5 mm
Application	ESD-protected areas, electronics mfg, cleanrooms