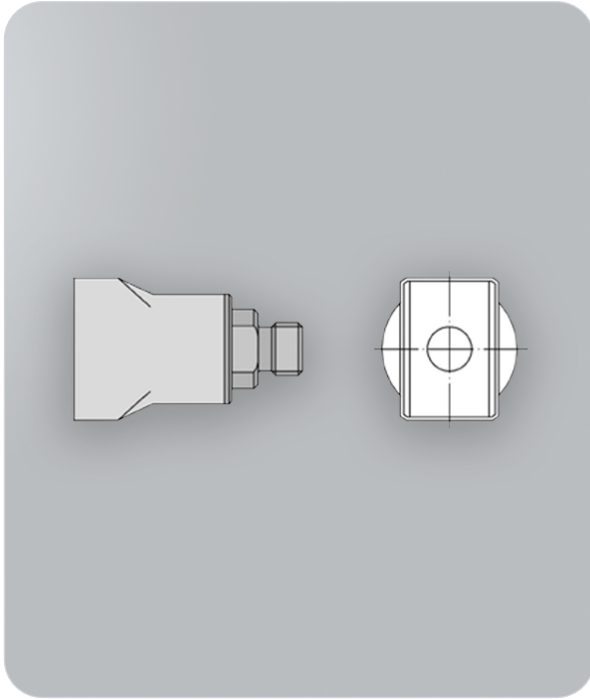


## D08 - Hot Air Nozzle

SKU: GW-D08



### Features & Benefits

- ◆ Two-sided heated nozzle with integrated pre-heating plate
- ◆ Compatible with HAP 1, HAP 200, and WXHAP 200 hot air tools
- ◆ Provides targeted, even heat for reworking larger components
- ◆ Supplied individually (1 per package)
- ◆ Ideal for precision soldering and desoldering
- ◆ Part of Weller's professional-grade hot air nozzle range
- ◆ Featuring a built-in pre-heating plate, it ensures efficient and even thermal transfer

### About the D08 - Hot Air Nozzle

The Weller D08 Hot Air Nozzle is a durable and high-precision accessory designed for rework tasks that require focused heat along two sides of a component.

Featuring a built-in pre-heating plate, it ensures efficient and even thermal transfer. With a length of 15.0 mm and a width of 10.0 mm, the D08 is ideal for slightly larger components requiring controlled heat application.

Compatible with HAP 1, HAP 200, and WXHAP 200 hot air tools, it is **supplied individually**. As part of Weller's professional nozzle range, the D08 provides reliable performance for advanced soldering and desoldering work.

### Specifications

Property	Detail
Dimensions	Length 15.0 mm, Width 10.0 mm
Application	ESD-protected areas, electronics mfg, cleanrooms