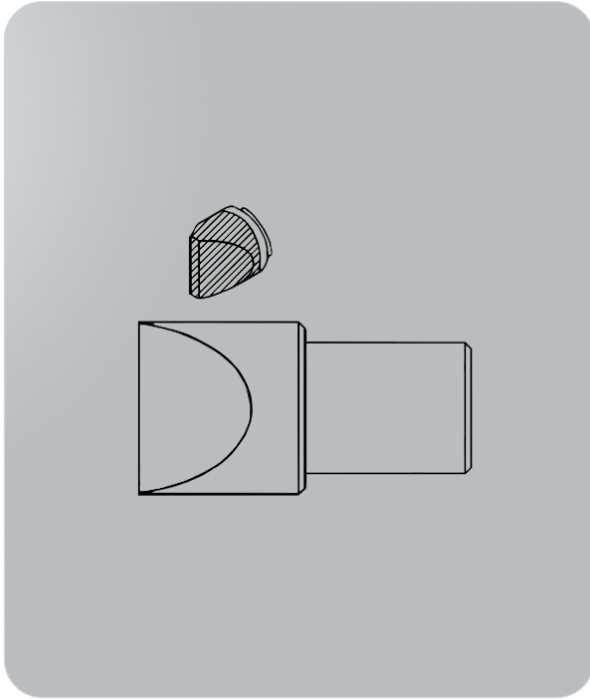


GQ-10B-16D

SKU: GQ-10B-16D



Features & Benefits

- ◆ Compatible with Quick TS10 Soldering Station and TSS10A Soldering Iron
- ◆ 15.5mm wide chisel tip – ideal for large joints and high heat demands
- ◆ TSS10B series – built for high heat soldering applications
- ◆ Excellent heat distribution and rapid thermal recovery
- ◆ Durable construction for prolonged use in demanding environments
- ◆ Suitable for industrial electronics, repair, and assembly tasks

About the GQ-10B-16D

The **QUICK 15.5mm Chisel 10B-16D soldering tip** is designed for heavy-duty performance with the **Quick TS10 Soldering Station** and the **TSS10A Soldering Iron**.

Part of the TSS10B high heat series, this robust tip is ideal for large solder joints and tasks requiring broad heat distribution. The wide 15.5mm chisel shape ensures excellent thermal transfer, making it perfect for industrial applications, large connectors, and high-power components.

**** Tips are supplied individually. ****

Specifications

Property	Detail
Application	ESD-protected areas, electronics mfg, cleanrooms