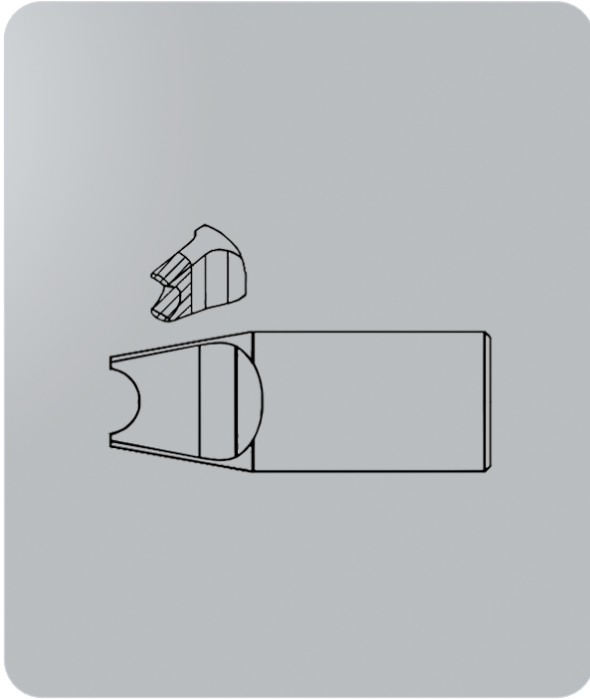


# GQ-10B-7.5DU-01

SKU: GQ-10B-7.5DU-01



## Features & Benefits

- ◆ Compatible with Quick TS10 Soldering Station and TSS10A Soldering Iron
- ◆ 7.5mm chisel tip – ideal for medium to large solder joints
- ◆ Part of the TSS10B series for high heat applications
- ◆ Rapid heat-up and excellent thermal recovery
- ◆ Robust design for long-lasting use
- ◆ Perfect for electronics repair, assembly, and production work

## About the GQ-10B-7.5DU-01

The QUICK 7.5mm Chisel 10B-7.5DU-01 soldering tip is expertly crafted for use with the Quick TS10 Soldering Station and the TSS10A Soldering Iron.

A member of the high-performance TSS10B series, this tip is designed for high heat soldering applications, ensuring efficient thermal transfer and reliability. The 7.5mm chisel shape offers a balance between precision and surface coverage, making it suitable for medium to large soldering tasks in both professional and workshop settings.

**\*\* Tips are supplied individually. \*\***

## Specifications

Property	Detail
Application	ESD-protected areas, electronics mfg, cleanrooms