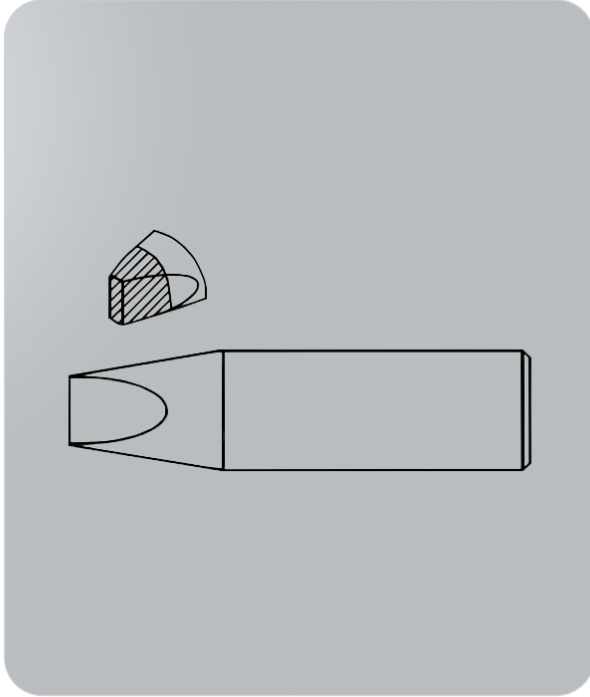


GQ-10C-5D

SKU: GQ-10C-5D



Features & Benefits

- ◆ 5mm chisel tip for precise and efficient soldering
- ◆ Compatible with QUICK TS10 Soldering Station
- ◆ Designed for the TSS10A Soldering Iron
- ◆ Part of the 10C series – for standard soldering applications
- ◆ Suitable for medium-sized joints and electronic components
- ◆ Offers consistent heat and reliable performance

About the GQ-10C-5D

The QUICK 5mm Chisel 10C-5D soldering tip is crafted for everyday soldering tasks and is compatible with the Quick TS10 Soldering Station and the TSS10A Soldering Iron.

As part of the 10C tip series, it is designed for regular soldering applications, offering a balanced combination of precision and heat transfer. The 5mm chisel shape makes it ideal for general electronics work, including connectors, pads, and medium-sized components.

**** Tips are supplied individually. ****

Specifications

Property	Detail
Application	ESD-protected areas, electronics mfg, cleanrooms