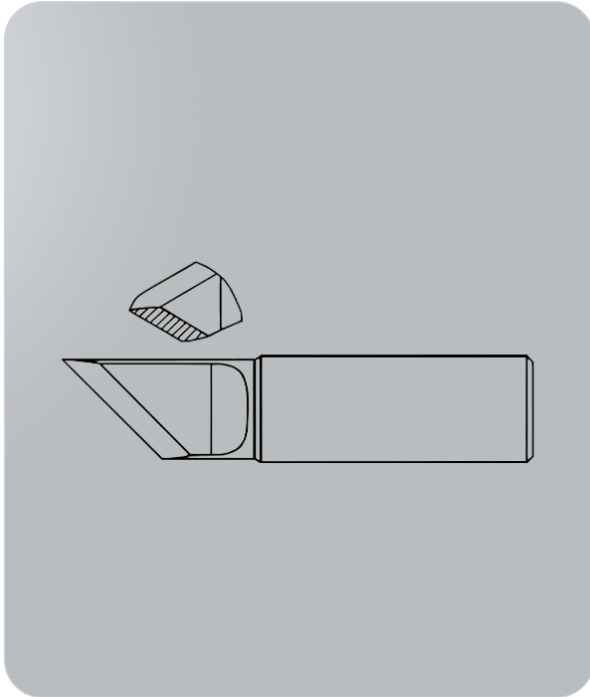


# GQ-10C-K

SKU: GQ-10C-K



## Features & Benefits

- ◆ 8mm knife tip for broad, efficient soldering
- ◆ Compatible with QUICK TS10 Soldering Station
- ◆ Designed for the TSS10A Soldering Iron
- ◆ Part of the 10C series – ideal for standard soldering tasks
- ◆ Suitable for drag soldering and large surface areas
- ◆ Reliable heat transfer for consistent performance

## About the GQ-10C-K

The QUICK 8mm Knife 10C-K soldering tip is a robust, general-purpose tip designed for use with the Quick TS10 Soldering Station and the TSS10A Soldering Iron.

Part of the 10C series, it's ideal for regular soldering applications that require wide surface coverage and steady heat delivery. Its broad 8mm knife edge makes it perfect for drag soldering, desoldering, and working on larger components or connectors.

**\*\* Tips are supplied individually. \*\***

## Specifications

Property	Detail
Application	ESD-protected areas, electronics mfg, cleanrooms