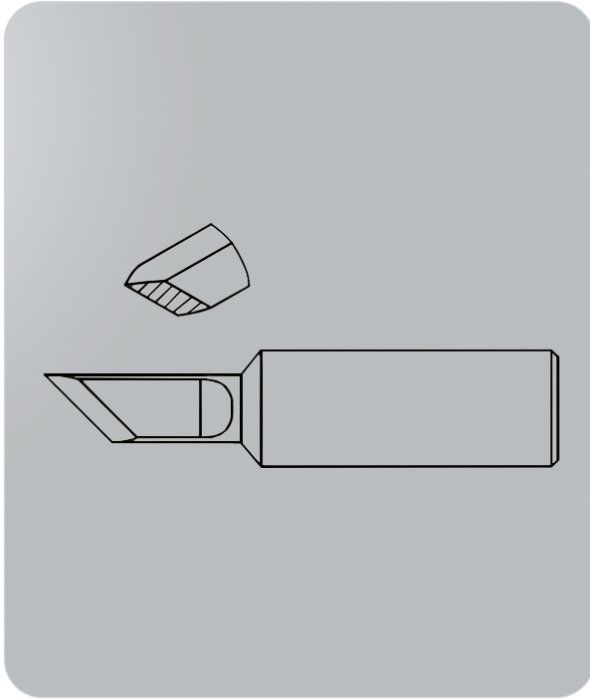


GQ-10C-SK

SKU: GQ-10C-SK



Features & Benefits

- ◆ 5mm knife tip for versatile soldering applications
- ◆ Compatible with QUICK TS10 Soldering Station
- ◆ Designed for use with the TSS10A Soldering Iron
- ◆ Part of the 10C series – suited for regular soldering tasks
- ◆ Excellent for drag soldering and desoldering
- ◆ Provides broad, even heat distribution

About the GQ-10C-SK

The QUICK 5mm Knife 10C-SK soldering tip is designed for general-purpose soldering and fits perfectly with the Quick TS10 Soldering Station and the TSS10A Soldering Iron.

Part of the 10C tip series, it is ideal for regular soldering applications, offering a wide 5mm knife edge for excellent heat distribution and versatility. Perfect for drag soldering, desoldering, and working on larger surface areas.

**** Tips are supplied individually. ****

Specifications

Property	Detail
Application	ESD-protected areas, electronics mfg, cleanrooms