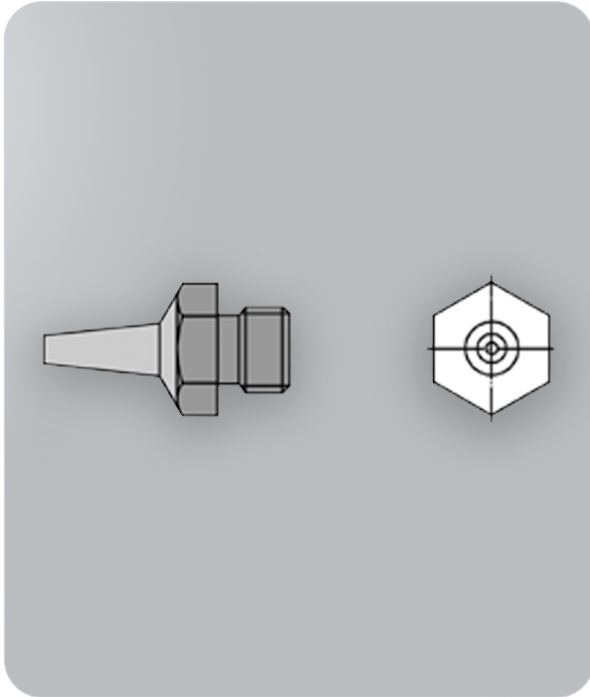


R02 - Round Nozzle

SKU: GW-R02



Features & Benefits

- ◆ Round nozzle with a 0.8 mm diameter for precise airflow
- ◆ Compatible with HAP 1, HAP 200, and WXHAP 200 hot air tools
- ◆ Suitable for fine-pitch and small component rework
- ◆ Provides concentrated heat for high accuracy
- ◆ Supplied individually (1 per package)
- ◆ Part of Weller's professional-grade hot air nozzle range

About the R02 - Round Nozzle

The Weller R02 Round Nozzle is a precision hot air accessory designed for targeted airflow in detailed soldering and desoldering applications.

With a fine 0.8 mm diameter, it provides controlled, concentrated heat, making it ideal for work on small components or confined areas. Compatible with HAP 1, HAP 200, and WXHAP 200 hot air tools, the R02 is **supplied individually** and forms part of Weller's trusted range of professional hot air nozzles.

Specifications

Property	Detail
Application	ESD-protected areas, electronics mfg, cleanrooms