

# Luminos<sup>TM</sup>

## TABLE LAMP

Fact Sheet



The brightest in the Daylight range, Luminos offers a very high light output and an exceptionally wide spread of light. Ideal for illuminating a large area. Its ergonomic design allows you to position and angle the shade exactly where needed, effortlessly. Extra long reach, extra bright, extra resistant.



LIGHT QUALITY



ERGONOMICS



DESIGN

[daylightcompany.com](http://daylightcompany.com)



daylight

when light matters

---

LED 6,000 K daylight

---

3,800 Lux at 30cm (12")

---

3 brightness levels

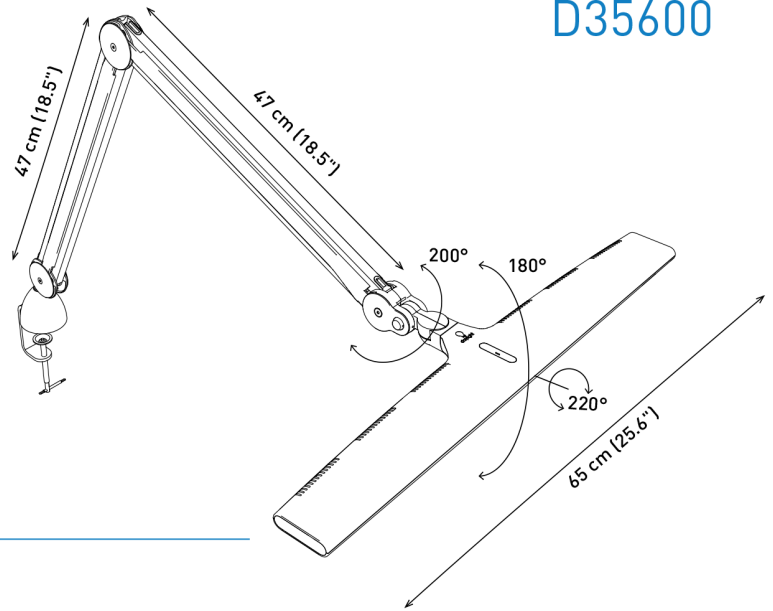
---

Supplied by  
**Grove Sales**  
Quality Products - Reliable Service - Est 1990

# Luminos<sup>TM</sup>

D35600

## TABLE LAMP



## FEATURES

- Extra wide shade for an even spread of light over a large area
- 120 powerful daylight LEDs for true colour matching
- 3 brightness levels – 3,800 – 2,300 and 1,200 Lux
- Multi position head to direct the light where needed
- Heavy duty arm with reinforced joints and covers
- Long reach 112 cm

## SPECIFICATIONS

### Product information

Weight	3.2 kg (7.1 lb)
Colour	Grey/white
Cable length	2.4 m (94.5")

### Light output

Light source	LED
Lumens	1,566 lm
Lux at 30 cm (12")	3,800
Colour temperature	6,000 K
CRI	80+
Energy consumption	20W

### Packaging information

Height	40.5 cm (15.9")
Width	91.5 cm (36")
Depth	11 cm (4.3")
Packed weight	4.6 kg (10.2 lb)
Products per master carton	2

Supplied by  
**Grove Sales**  
Quality Products - Reliable Service - Est 1990

  
**daylight**  
when light matters

0800 055 77 11 | [info.uk@daylightcompany.com](mailto:info.uk@daylightcompany.com) | 