



Intelligent Rework Station

Ingenuity is Within Reach



QUICK 861PRO

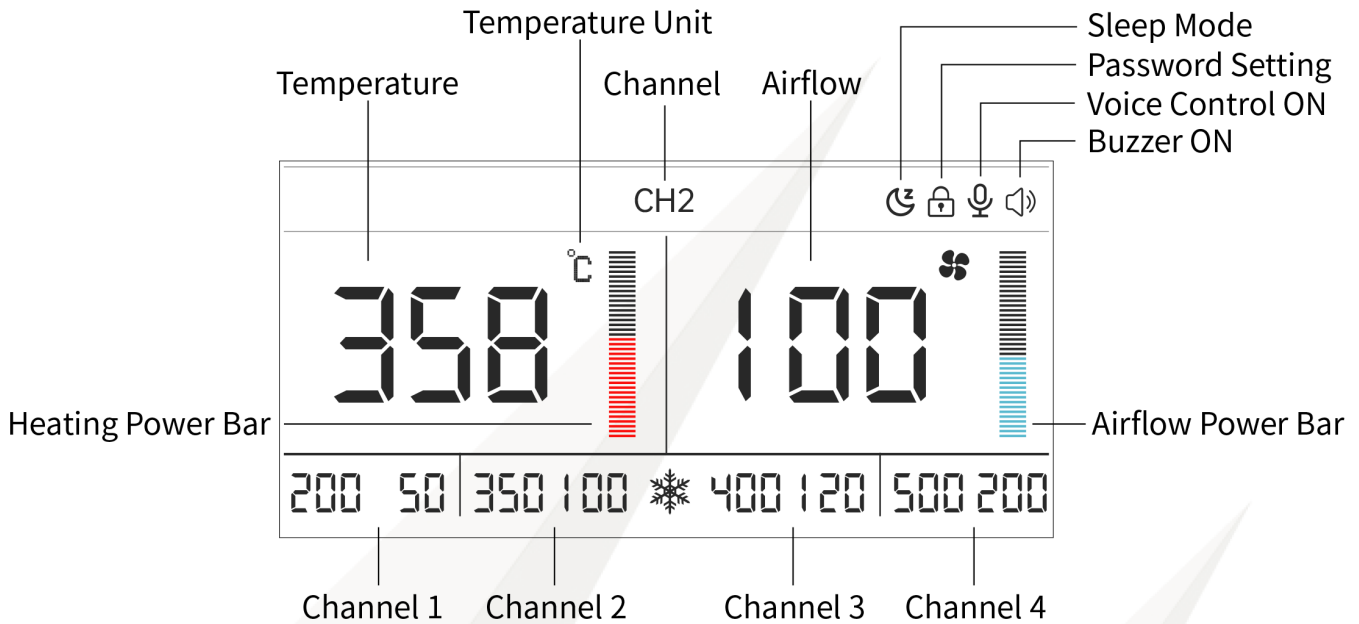


Official WeChat Account

www.quick-global.com

CALL US NOW ON +44(0)1202 588900 OR TAKE A LOOK ONLINE AT WWW.GROVESALES.CO.UK
FOR MORE INFORMATION

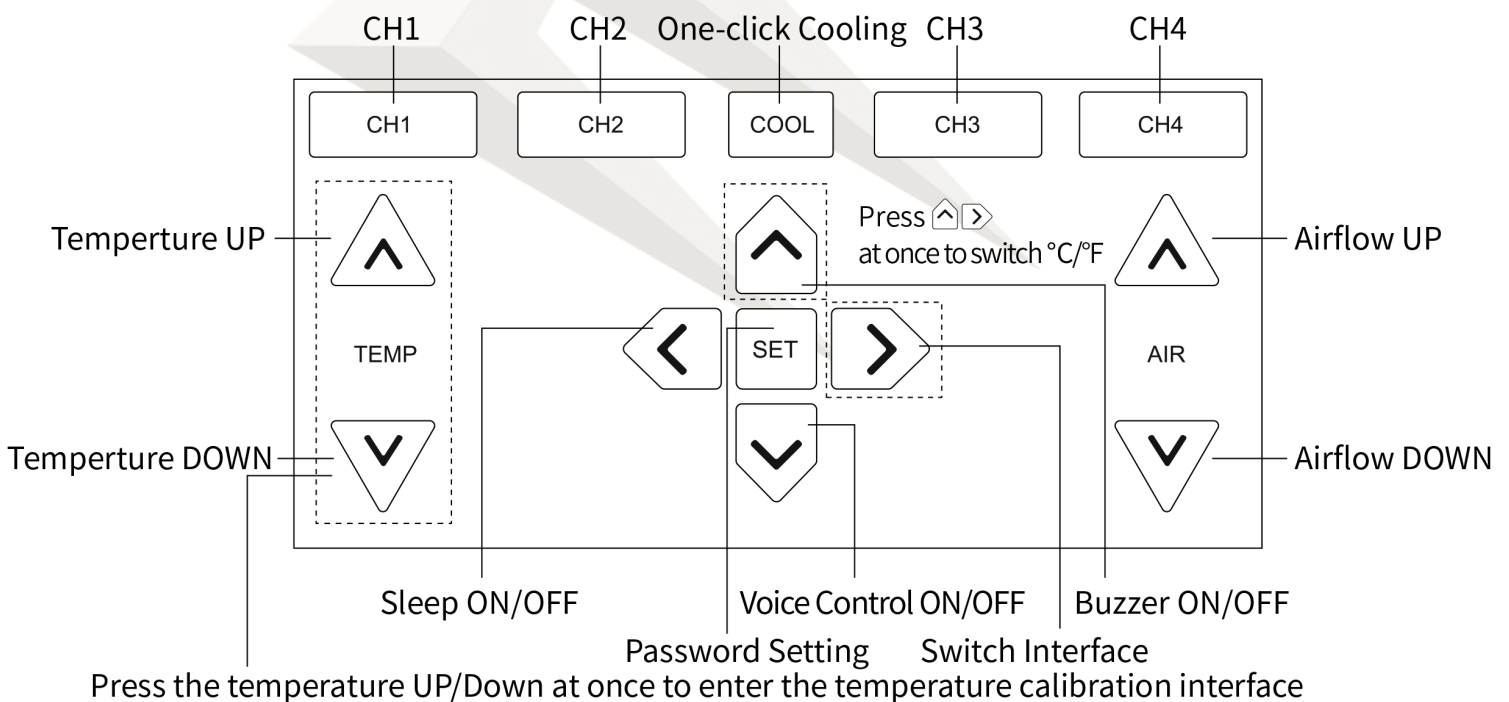
▼ Display Descriptions



▼ Regular Accessories



▼ Button Descriptions





▼ Product Characteristics

- With color LCD screen, the heating display supports standard mode, curve mode or furnace temperature mode.
- Support password protection and button lock.
- 4 channels of CH1, CH2, CH3 and CH4 are available to separately set the airflow and temperature of each.
- The desoldering holder includes a magnetic switch that enables automatic sleep. The handle automatically stops heating when it is placed back on the holder for long service life of heater.
- Closed-loop sensor, and microcomputer zero cross temperature control with high power for rapid heating, and easy and precise temperature adjustment.
- Brushless vortex blower with wide adjustable airflow range for various heating purposes.

▼ Temperature/Airflow/Channel Settings

- Temperature
Press "▲" or "▼" of TEMP once, the temperature goes up or down by 1°C; long press for quick adjustment.
- Airflow Rate
Press "▲" or "▼" of AIR once, the air volume goes up or down by 1; long press for quick adjustment.
- Channel
Press CH1, CH2, CH3, or CH4 to select the corresponding channel of 1~4.
When the temperature and airflow settings are finished, long press CH1~CH4 to save the parameters to the current channel.
The system is unlocked, and you can set functions and select a channel when the initial password is "000".

▼ Product Specifications

Model	861PRO
Display	OLED
Working Voltage	220V AC
Power	1300W
Temperature Range	50~550°C
Airflow Rate	70L/Min (Max)
Airflow Range	Scale of 1~120
Nozzle	NK1130W45、NK2064W45、NK2084W45、NK2127W45-01
Dimensions	214*235*159mm
Weight	About 4.3 Kg